

# CCD USB2.0 CAMERA

## Product Family USB2.0 Mini Camera

UK1177-C 3,2 megapixel / color



### Description

The Mini Camera UK1177 is a compact CCD camera designed for industrial and scientific image processing tasks. The camera is a part of the ABS CCD camera family with different features for various applications. Typical fields of application for this highly light-sensitive camera are high resolution microscopy and measurement technique, documentation and surveillance. Together with the excellent resolution the high frame rate allows convenient microscopy working.

The Super HAD CCD™ sensor yields images with high signal-to-noise ratio and brilliant color recording even under low-light conditions.

Optional opto-decoupled input and output ports permit camera operation even under harsh environmental conditions.

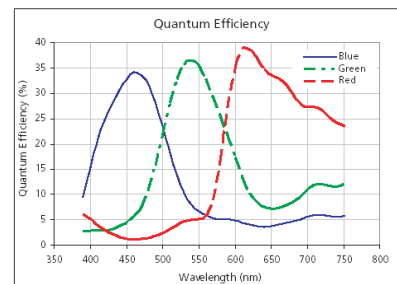
The fast USB2.0 interface allows the transmission of a maximum of 17 live images per second at full 3 megapixel sensor resolution. Thus the user has the possibility to implement image processing applications without using an additional frame grabber. With the integrated high performance DSP developers may realize image processing or image pre-processing tasks directly in the camera.

The built-in memory is able to save up to 10 images and provides the possibility to decouple image capturing and transmission.

### Application fields

- image capturing under low-light conditions
- highly light-sensitive microscopy and measurement camera
- high-quality documentation or surveillance camera
- stand-alone intelligent optical sensor

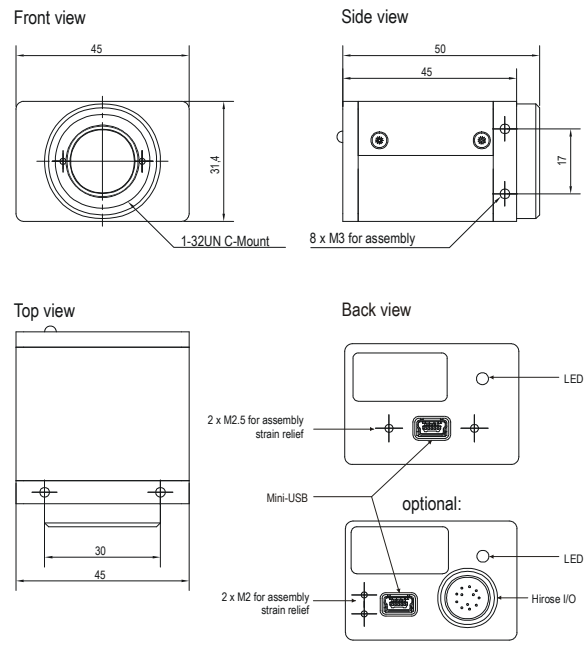
### Spectral response of the sensor



### Technical specification

Sensor	1/1,8", CCD, interline, color, BAYER pattern
Sensor resolution	2080 × 1542 pixels
Pixel size	3,45 µm × 3,45 µm
Frame rate sensor (half-field, depends on PC)	17 fps at 2080 × 1542 pixels
Shutter type	global shutter
Exposure time	30 µs to 180 s
ADC resolution	12 bit
Gain	1 to 16× (analog)
DSP power	1200 MMAC
Image memory	32 MB / 10 images (2080 × 1542 pixels)
Data interface	USB2.0 (High Speed), USB3.0 conform
Power supply	USB bus powered
Power consumption	typically 2,5 W
Operating temperature	+ 0°C to + 55°C
Storage temperature	- 20°C to + 70°C
Dimensions	31,4 mm × 45 mm × 50 mm
Weight	approx. 100 g (without lens)
Lens mounting	C-Mount / adjustable
Optional	<ul style="list-style-type: none"><li>▪ digital input<ul style="list-style-type: none"><li>2× opto-decoupled (programmable)</li><li>1× TTL trigger input (fast)</li></ul></li><li>▪ digital output<ul style="list-style-type: none"><li>2× opto-decoupled (programmable as strobe)</li></ul></li><li>▪ temperature sensor</li><li>▪ RS232-connection</li></ul>

### Assembly dimensions



Super HAD CCD is trademark of Sony corporation.